

# Standard Power Harness



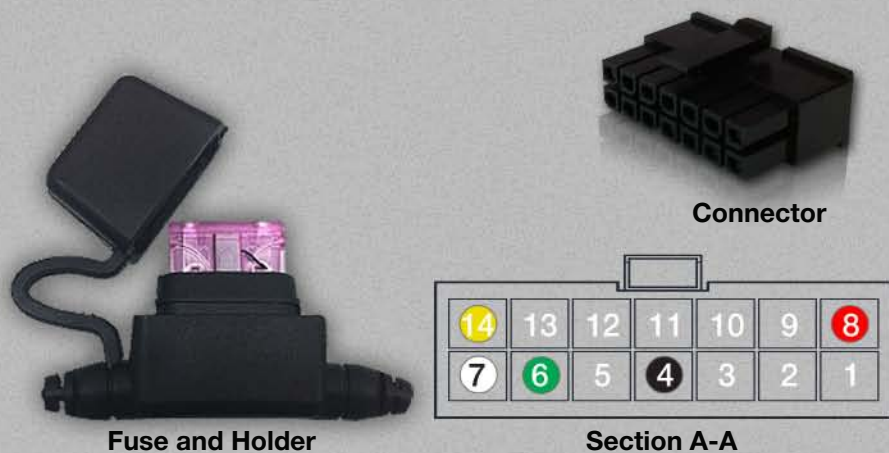
**Part Number: 43025-14P-5C**

## Description

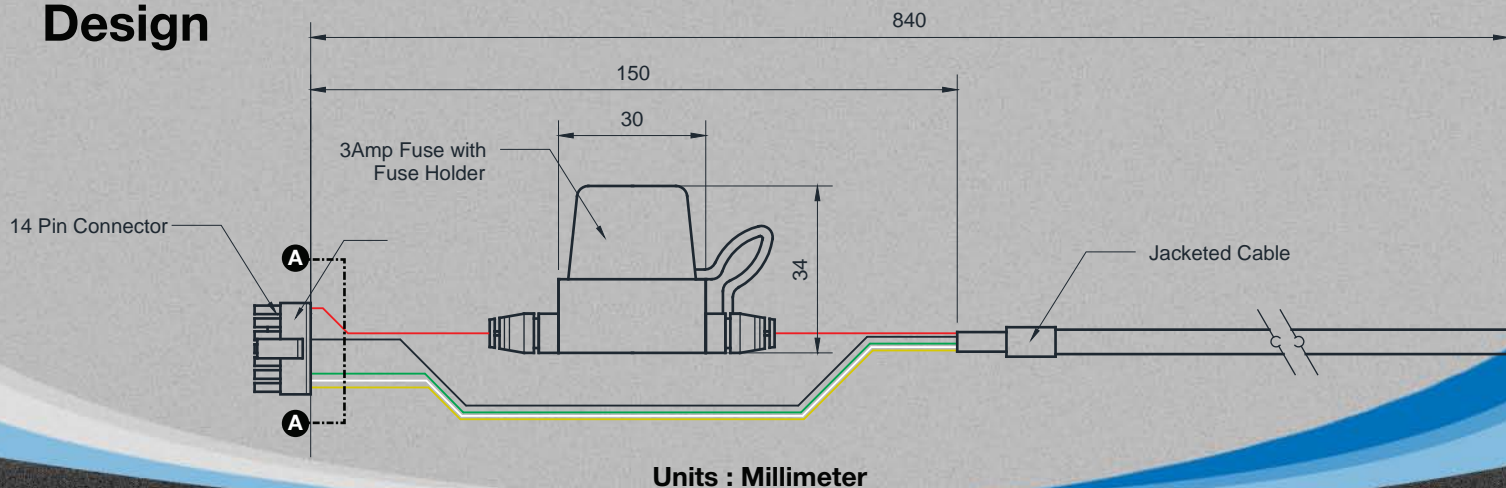
.....

## Specification

- 22 AWG wires.



## Design



# Standard Power Harness with External Battery Connector



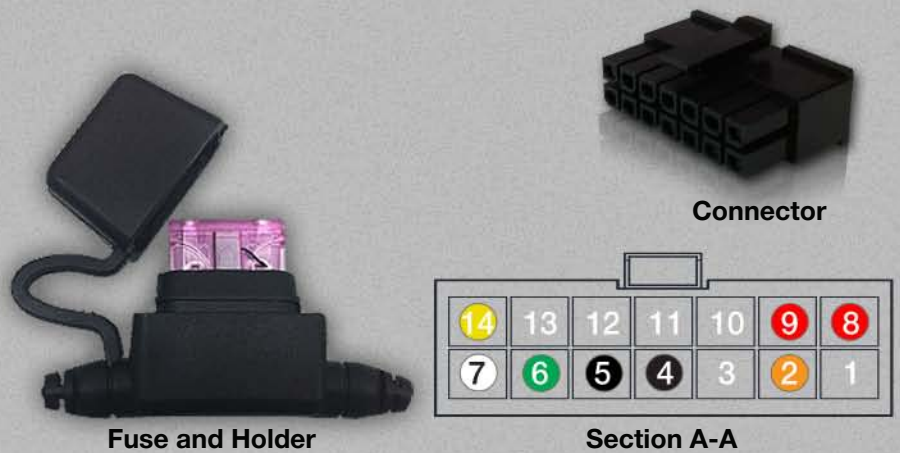
**Part Number: 43025-14P-5C-4P**

## Description

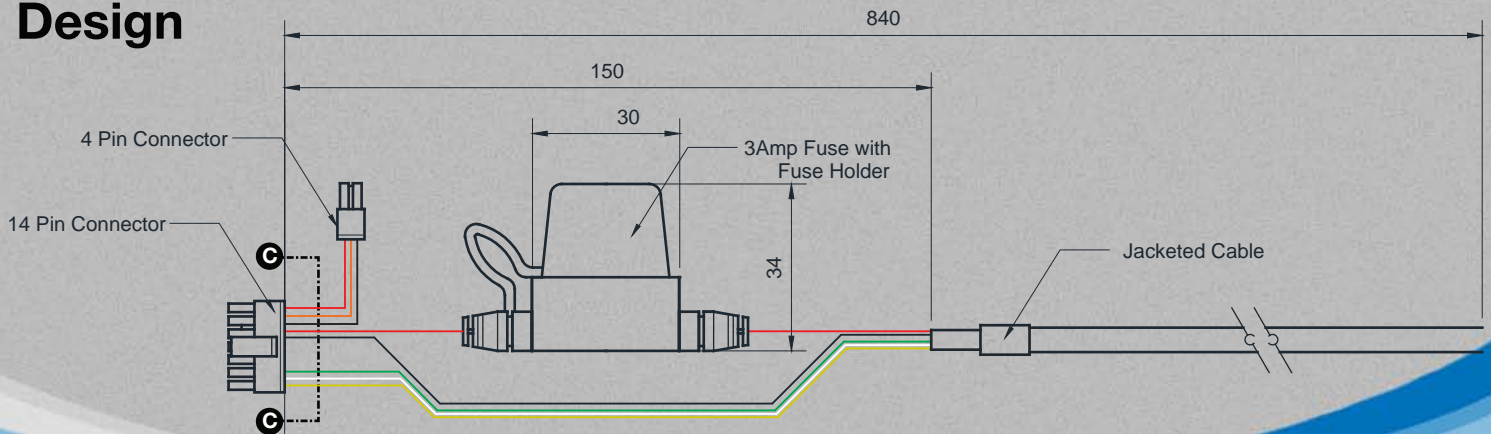
.....

## Specification

- 22 AWG wires.



## Design



Units : Millimeter

# OBD Power Harness



**Part Number: : 43030-14P-2C**

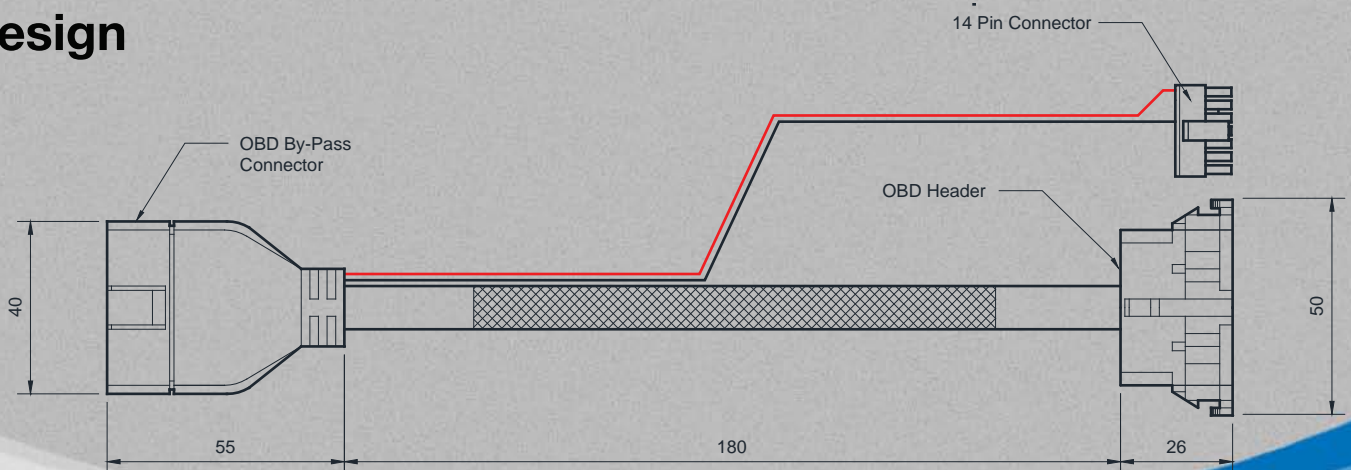
## Description

.....

## Specification

•

## Design



Units : Millimeter

# OBD Pass-Through Harness



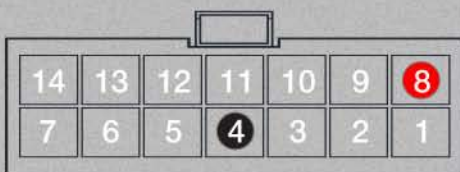
**Part Number: 43030-14P-2C**

## Description

.....

## Specification

- 20 AWG wires.

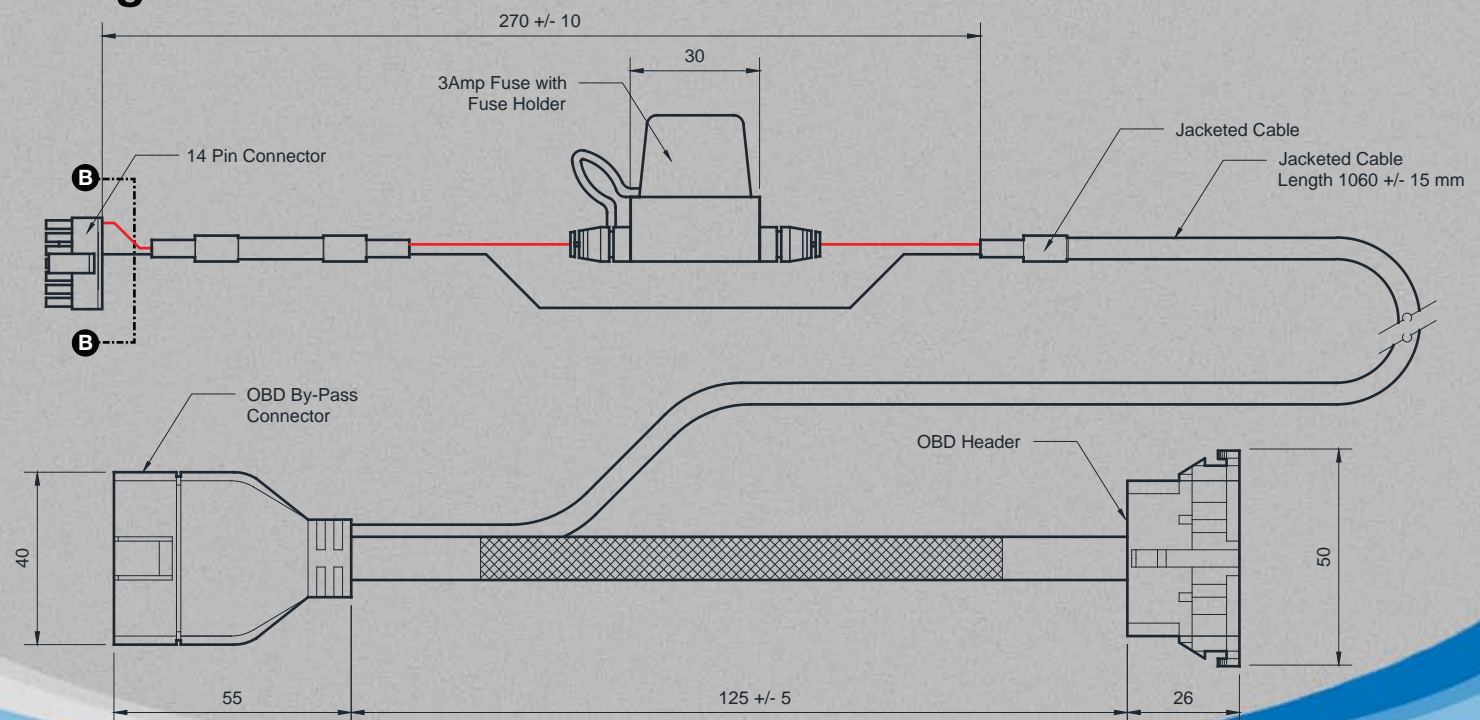


Section B-B



Connector

## Design



Units : Millimeter

# OBD Pass-Through with External Battery Connector Harness



**Part Number: 43030-14P-4P**

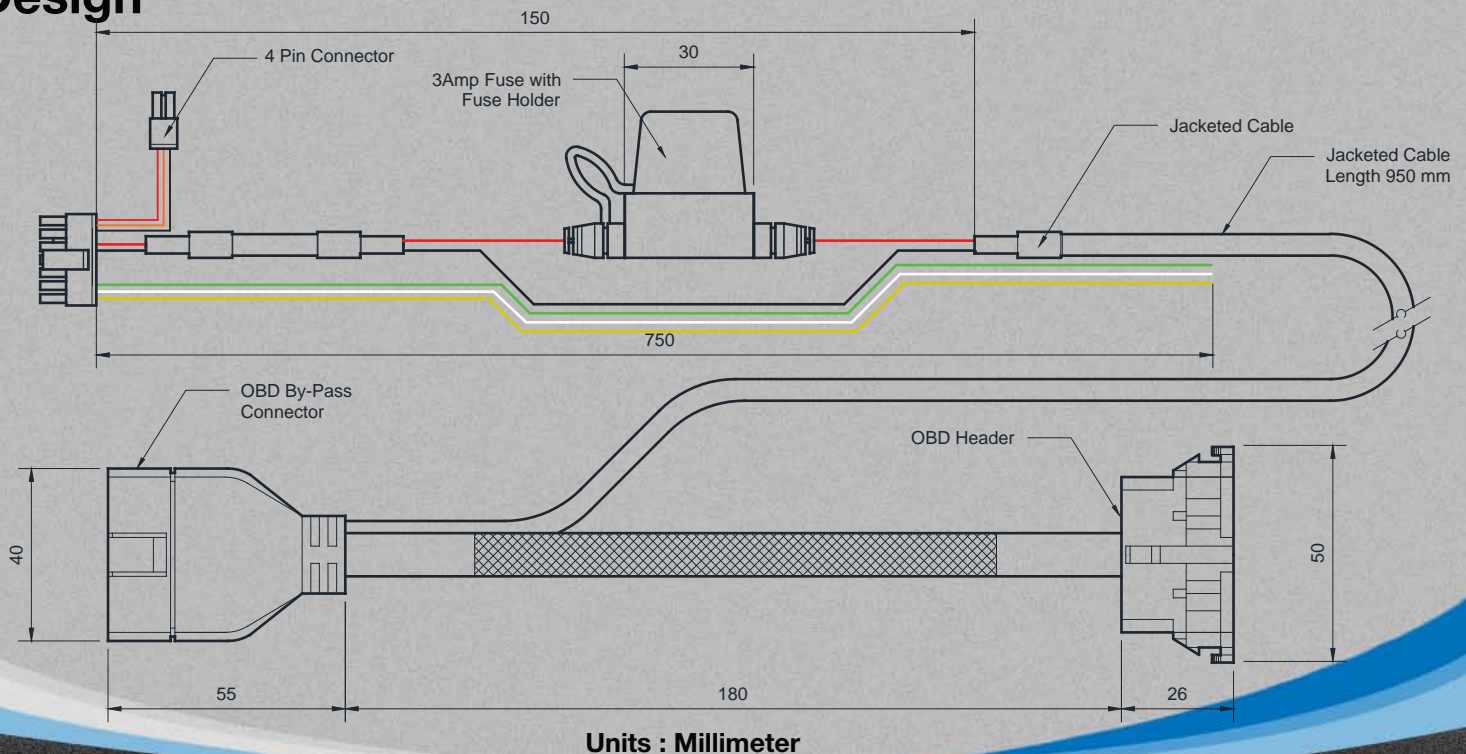
## Description

.....

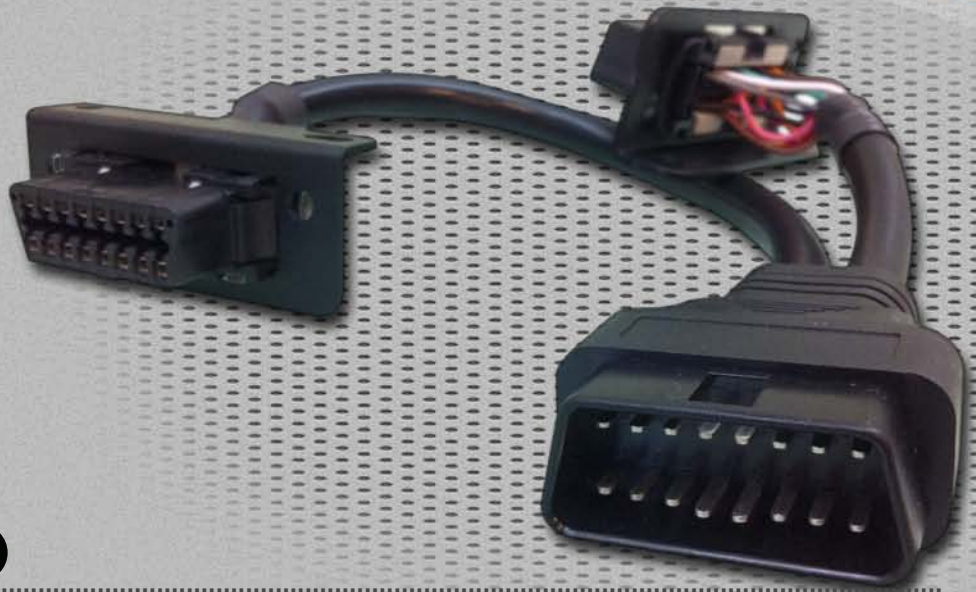
## Specification

- 22 AWG wires.

## Design



# OBD Splitter Y Harness



**Part Number: 43026-24-24**

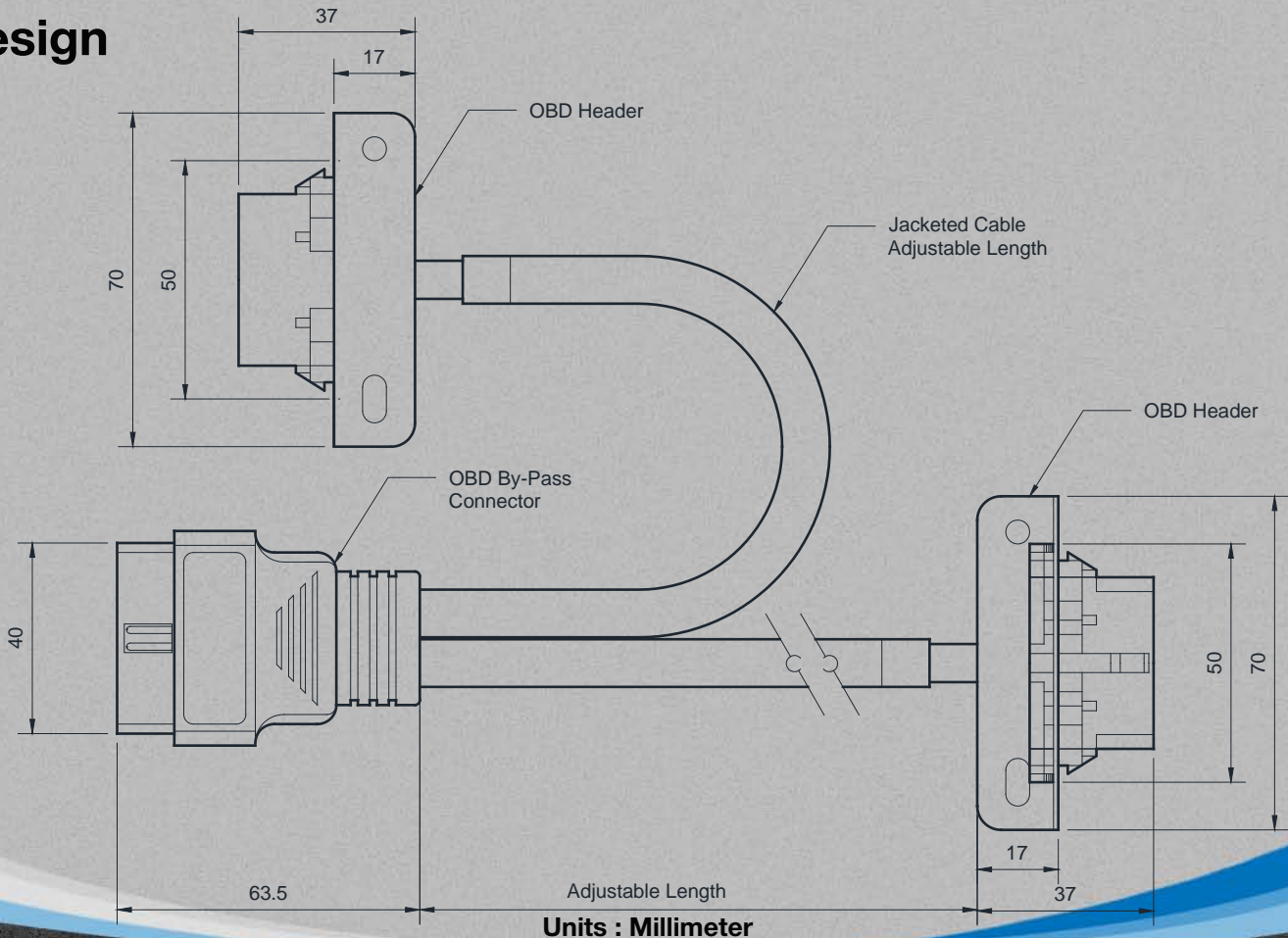
## Description

OBD splitter harness with plastics brackets designed to provide Power, Ground, and data from the Vehicle OBD II connector to the tracking device. Compatible with The XT-2000-O Series of products. Heavy-duty materials and quality manufacturing gives the cable superior durability and performance.

## Specification

- The standard wire length is 24 inches but can be adjustable to meet specific applications.
- 22 AWG wires.
- All 16 pins are connected.

## Design



# Socket Relay



**Part Number: 45045-4P**

## Description

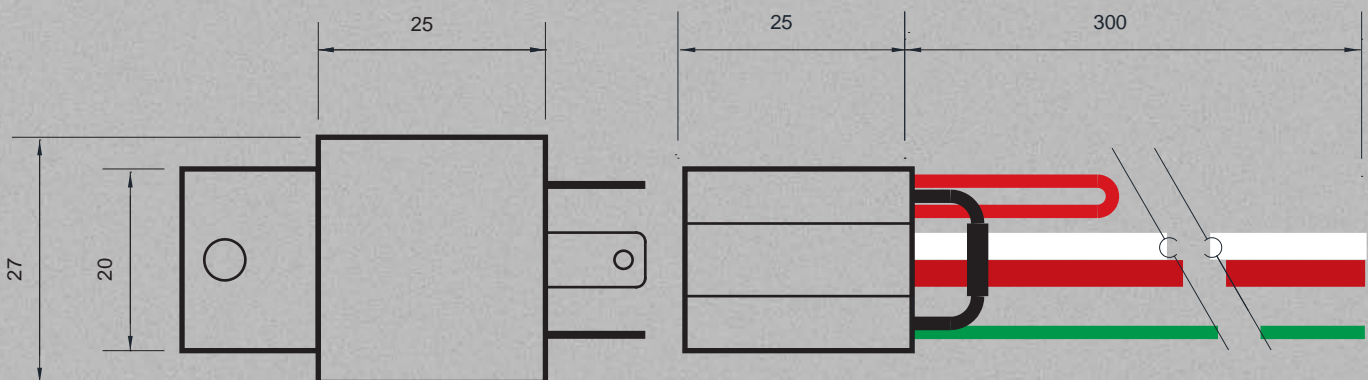
SPDT JD1914 Socket Relay,  
5 Pins, 30/40A 14VDC,  
TS16949 Approved.

## Specification

SPDT relay specification:

1.size:	28.0*28.0*25.0mm
2.contact form:	1C
3.coil power:	1.7w
4.voltage:	6-24VDC
5.current:	30/40A
6.Rating:	40A/14VDC 30A/14VDC
7.Approvals:	TS16949

## Design



Units : Millimeter

# CLA Power Harness



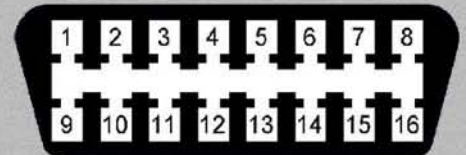
**Part Number:**

**Description**

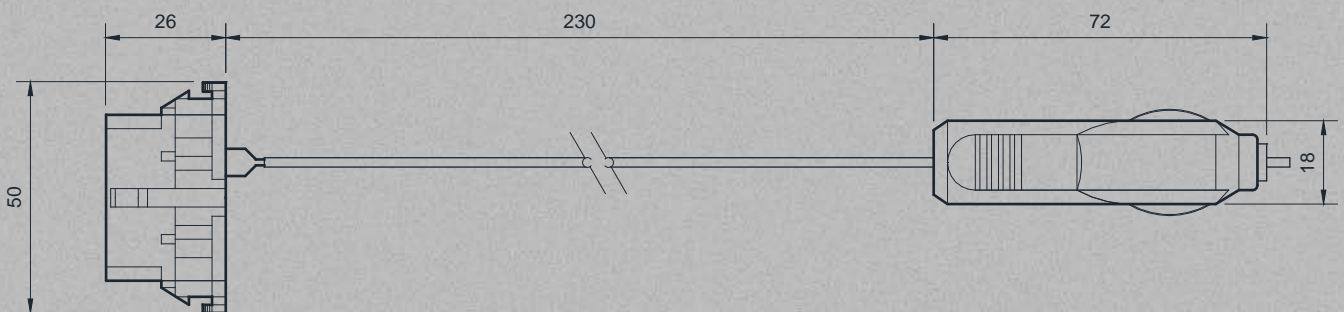
**Specification**

...

...



**Design**



Units : Millimeter



**Part Number: 47020**

## Description

Insulated Ring Terminals and Butt Connectors.

Kit contains:

12-10 AWG Insulated Butt Connector,  
QTY = 2

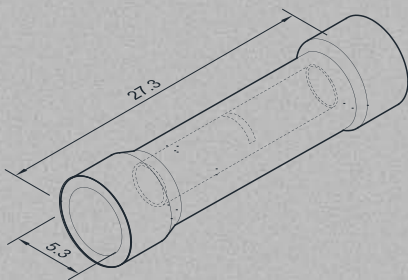
22-16 AWG Insulated Butt Connector,  
QTY = 1

22-16 AWG Insulated Ring Terminal,  
QTY = 1

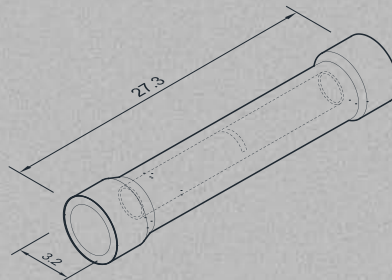
## Specification

Nylon insulation material is molded onto the barrel and is resistant to higher heat and deformation than vinyl splices. Funnel entry is formed into the inside of the insulation to allow for easier wire insertion. Clear nylon allows for easy inspection of wire connection. Industry standard color-coding indicates wire range. Rated to 600 volts

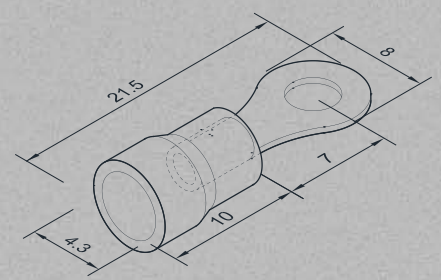
## Design



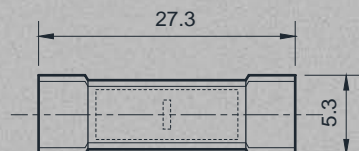
BNFY 5.5



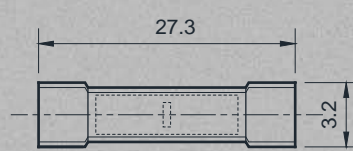
BNFY 1.25



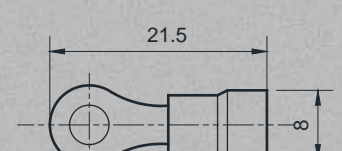
RVS 1.25-4



Long Full-Insulating  
Middle Joint (Nylon)



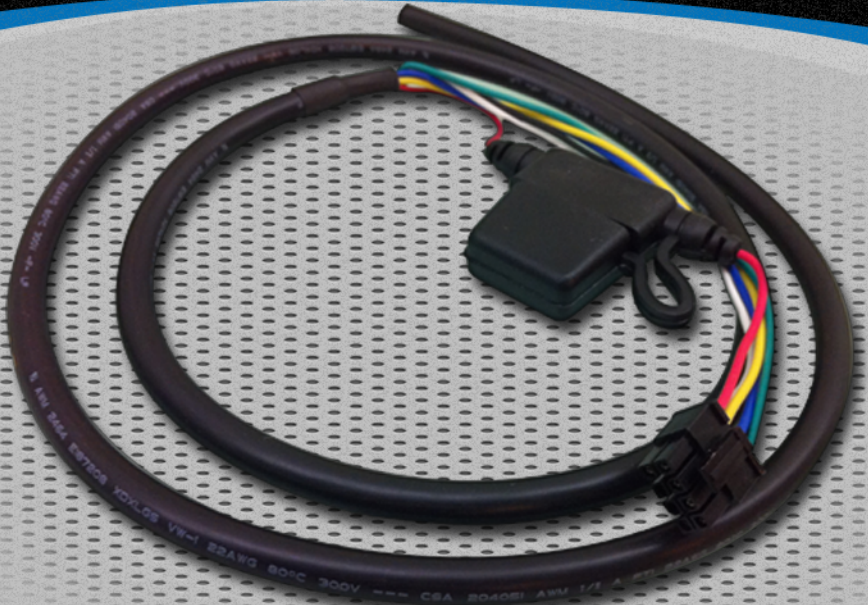
Long Full-Insulating  
Middle Joint (Nylon)



Ring Insulated  
Terminals

Units : Millimeter

# Power Harness



**Part Number: 43025-8P-6C**

## Description

Standard Power harness designed for the Enfora MT-uL, MT-Gi, MT-Gp, and MT-Gμ line of GPS Tracking products. This harness provides connection to Power, Ground, Ignition, GPIO1, GPIO2, and GPO3.

This product supports the following Enfora models\*:

Model Name: Spider MT-uL  
Model Number: GSM2238

Model Name: Spider MT-Gi  
Model Number: GSM2354, GSM2356

Model Name: Spider MT-Gp  
Model Number: GSM2354

Model Name: Spider MT-Gμ  
Model Number: GSM2338, GSM2348,  
GSM2358, GSM2368, GSM2438

\*Please verify compatibility prior to purchase.

## Specification

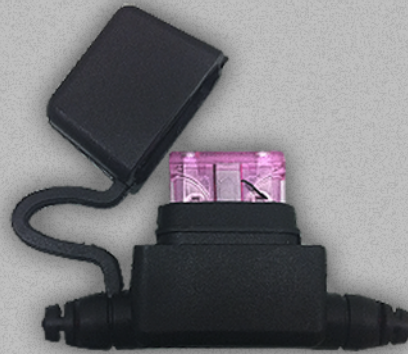
Terminated (Device): 8 Pin Connector

Terminated (User): Wires

No. of Wires: 6 Jacketed Wires

Wire Gauge: 22 AWG

Fuse: 3 A (Fuse with Holder)



**Fuse and Holder**

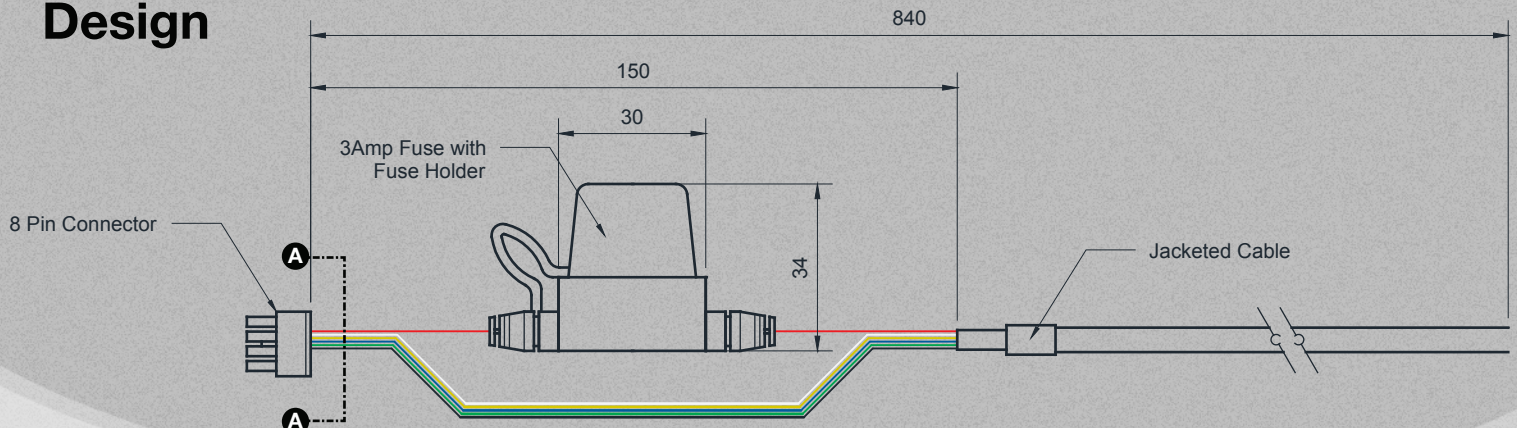


**Connector**



**Section A-A**

## Design



# OBD Pass-Through Harness



**Part Number: 43030-8P**

## Description

OBD Pass-through Harness designed for the Enfora MT-uL, MT-Gi, MT-Gp, and MT-Gu line of GPS Tracking products. This harness provides connections to Power, Ground, Unswitched Power, and GPO3.

This product supports the following Enfora models\*:

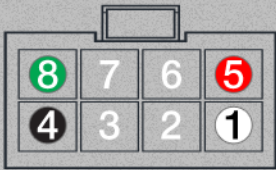
Model Name: Spider MT-uL  
Model Number: GSM2238

Model Name: Spider MT-Gi  
Model Number: GSM2354, GSM2356

Model Name: Spider MT-Gp  
Model Number: GSM2354

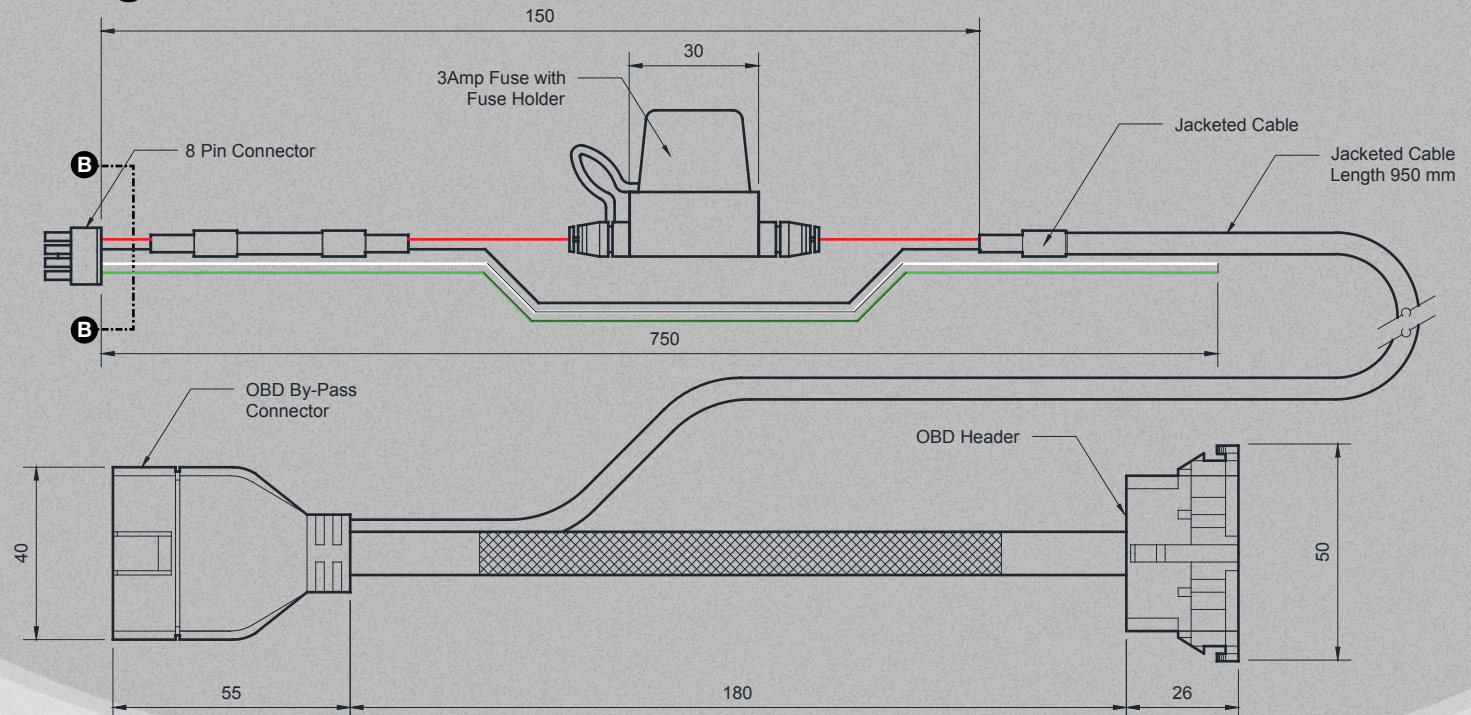
Model Name: Spider MT-Gu  
Model Number: GSM2338, GSM2348,  
GSM2358, GSM2368, GSM2438

\*Please verify compatibility prior to purchase.



Section B-B

## Design



Units : Millimeter



## Part Number: EN-L100

### Description

Combined GSM/GPS 850/1900/1575 Antenna

### Specification

#### GPS Electrical Specifications

Frequency Range:	1575.42 MHz $\pm$ 3 MHz
Gain Patch	
Antenna @ Zenith LNA:	5 dBi typ. 27 dBi typ.
Polarization:	RHCP
Axial Ratio:	1 dB typ.
VSWR:	2.0:1 max.
Impedance:	50 ohms
LNA Noise Figure:	1.5 dB
LNA Supply Voltage:	3.3 V $\pm$ 0.6 V or 5 V $\pm$ 1 V
LNA Current Consumption:	9 mA typ., 12 mA max.
Standard Cable Length:	1.5 m
Standard Cable Type:	RG174 Coaxial
Standard Connectors:	FAKRA C or equivalent, color (Blue)

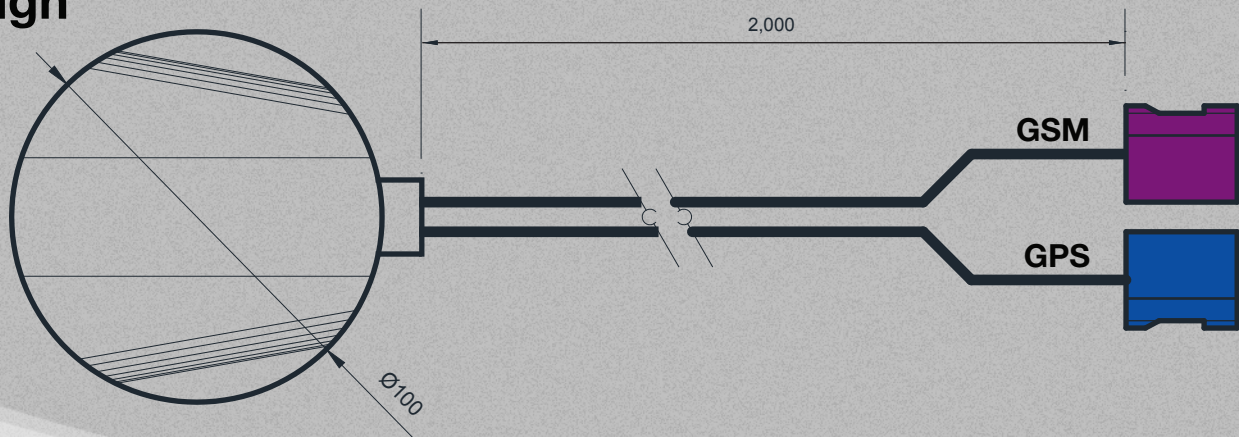
#### Mechanical & Environmental Specifications

Frequency Range:	806-960 MHz & 1710-2170 MHz
Gain:	806-960 MHz -1 dBi typ. 1710-2170 MHz 1 dBi typ.
Polarization:	Linear
VSWR:	1.5:1 typ., 2.5:1 max.
Impedance:	50 ohms
Power Rating:	10 Watts
Standard Cable Length:	1.5 m
Standard Cable Type:	RG174 Coaxial
Standard Connectors:	FAKRA D or equivalent, Color (Purple)

#### AMPS/GSM/GPRS/DCS/UMTS Electrical Specifications

Length x Width x Height:	9.5cm x 3.6cm x 1.4cm or Smaller
Housing Material:	UV Stabilized, High Heat Resistant ABS Plastic, Black
Operating Temperature Range:	-40°C to +85°C
Mounting Interface:	Double sided tape
Packaging:	50/box (in plastic bags individually)

### Design



Units : Millimeter